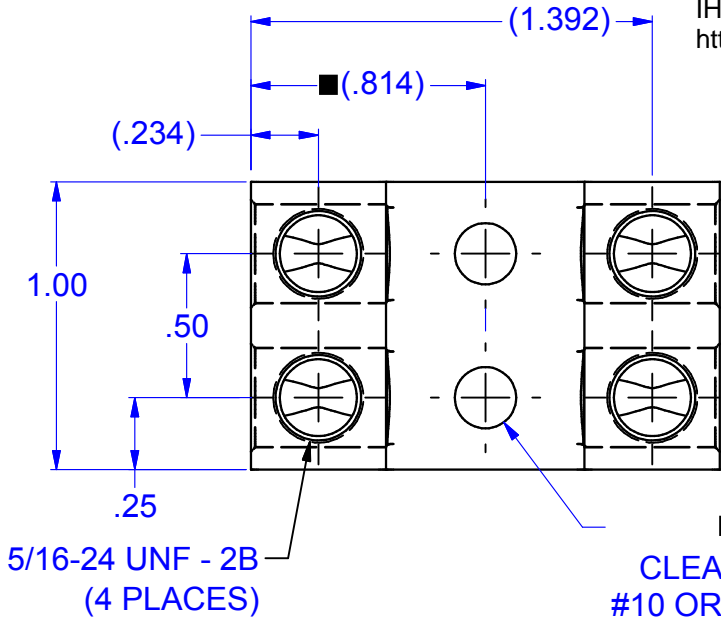


IHI UL/CSA Installation Guide to Drill or Enlarge Mounting Holes:
<https://lugsdirect.com/PDF%20Documents/IHI-MTG-HOLE-FIELD-MODS-UL&CSA-CERTIFICATIONS.pdf>

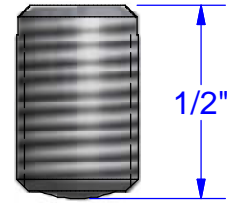
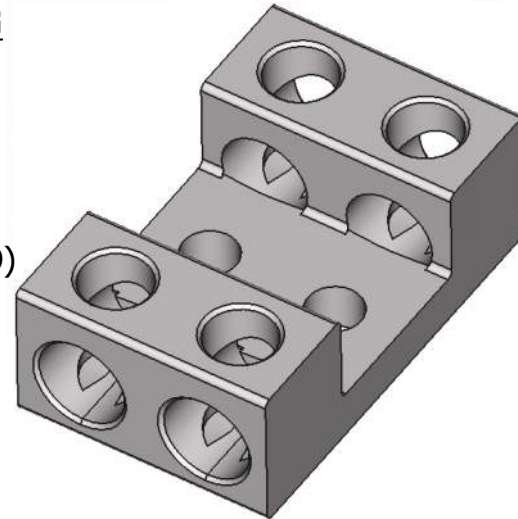
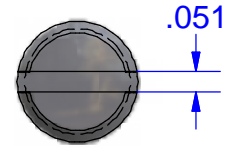
- Cat. No. S2 Style No. ALL
■ Drill, Enlarge, or Modify Mounting Holes
 1) Increase hole(s) dia. to 5/16 bolt
 2) Move location of mounting hole(s)
 3) If buying blank lug, put custom hole(s) in.

MARKING

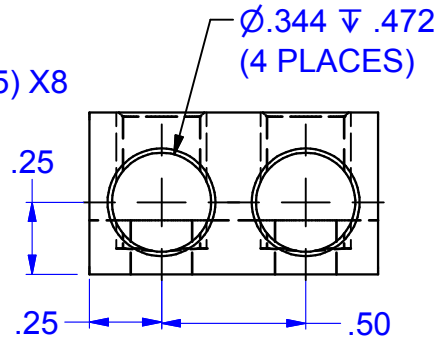
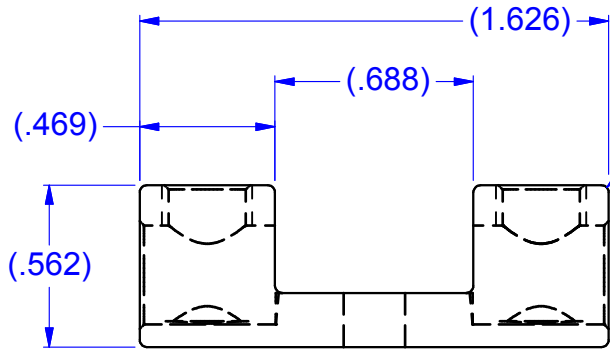
S2
 IHI
 2-14
 CU9AL
 UL (LOGO)
 CSA (LOGO)



■ $\phi .21$
 CLEARANCE FOR
 #10 OR 5mm. SCREW



SCREW #10850
 TIN PLATED
 ALUMINUM



RECOMMENDED DRIVER BITS

CHAPMAN CM-96	9.5 x 1.0mm (.375" x .039")
WIHA NO. 74021	8 x 1.2 mm (.31" x .047")
WERA 05059517001	8 x 1.2mm (.31" x .047")
05072063001	8 x 1.2mm (.31" x .047")
SEALS S2	8 x 1.2mm (5/16 HEX)



FLEX WIRE 4-12 AWG, 4-16 AWG WITH FERRULE

NOT FOR USE WHERE FAILURE CREATES A HAZARD TO HUMAN HEALTH OR SAFETY. ALL PRODUCTS ARE SUBJECT TO THIS FULL DISCLAIMER: <http://www.ihconnectors.com/disclaimer.html>

FOR FURTHER INFORMATION ON THE PROPER USE OF THIS PRODUCT IN SPECIFIC APPLICATIONS SEE <https://www.ihconnectors.com/GuideToFlexFlexibleFineStrandedWireCableMechanicalLugsFAQ.html>
<https://www.ihconnectors.com/Technical-Data-Installation.htm>
<https://lugsdirect.com/PDF Documents/5-16-SLOTTEDSCREW-BIT-RECOMMENDED-SPECS-IHCONNECTORS.pdf>



Expanded wire range with use of ferrules.
 TORK KRIMP®, self crimping of standard UL Listed ferrules protected by PATENT No.10630005.
 PATENT: www.ihconnectors.com/patent.html
 For full instructions: <https://lugsdirect.com/PDF Documents/IHI Agency Labels/S2-AGENCY-LABEL.pdf>

THIS DRAWING AND DESIGN ARE THE PROPERTY OF INTERNATIONAL HYDRAULICS, INC., CLEVELAND, OHIO, AND MAY NOT BE DUPLICATED, USED FOR THE BASIS OF DESIGN OR MANUFACTURE WITHOUT THE WRITTEN PERMISSION OF INTERNATIONAL HYDRAULICS, INC., CLEVELAND, OHIO.		INTERNATIONAL HYDRAULICS, INC.	
GENERAL TOLERANCES ±.015 (±0.038)		TITLE: S2-NB-2-10850 CONNECTOR	
MATERIAL: 6061-T6	SIZE: 1.5	DRAWN BY: TDS	DWG NO.: S2-NB-2-10850 (SALES)
FINISH: TIN PLATE EMS	DATE: 6/2/11	IHI CONNECTORS	