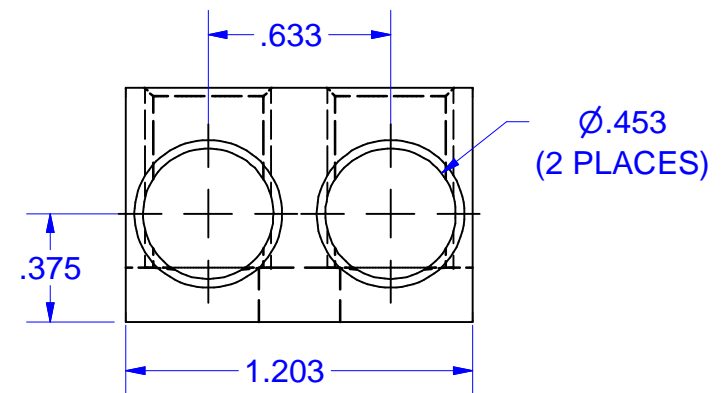
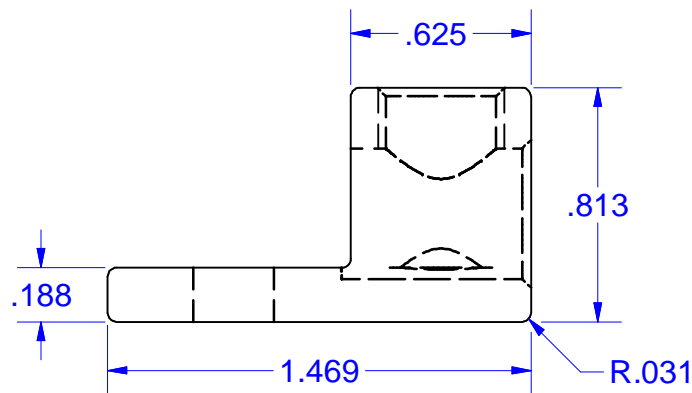


SCREW#11703  
(ALUMINUM  
TIN PLATED)



**MARKING**

2S2/0  
IHI  
2/0-14  
CU9AL  
CSA LOGO  
UL LOGO

**Cat. No. 2S2/0 Style No. 3**

- Drill, Enlarge, or Modify Mounting Holes
  - 1) Increase hole(s) dia. to 7/16 bolt.
  - 2) Move location of mounting hole(s)
  - 3) If buying blank lug, put custom hole(s) in.

IHI UL/CSA Installation Guide to Drill or Enlarge Mounting Holes:

<https://lugsdirect.com/PDF Documents/IHI-MTG-HOLE-FIELD-MODS-UL&CSA-CERTIFICATIONS.pdf>

NOT FOR USE WHERE FAILURE CREATES A HAZARD TO HUMAN HEALTH OR SAFETY. ALL PRODUCTS ARE SUBJECT TO THIS FULL DISCLAIMER: <http://www.ihiconnectors.com/disclaimer.html>

FOR FURTHER INFORMATION ON THE PROPER USE OF THIS PRODUCT IN SPECIFIC APPLICATIONS SEE <http://www.ihiconnectors.com/GuideToFlexFlexibleFineStrandedWireCableMechanicalLugsFAQ.html>

<http://www.ihiconnectors.com/Technical-Data-Installation.htm>

**FLEX WIRE 1/0-14 AWG**

THIS DRAWING AND DESIGN ARE THE PROPERTY OF INTERNATIONAL HYDRAULICS, INC., CLEVELAND, OHIO, AND MAY NOT BE DUPLICATED, USED FOR THE BASIS OF DESIGN OR MANUFACTURE WITHOUT THE WRITTEN PERMISSION OF INTERNATIONAL HYDRAULICS, INC., CLEVELAND, OHIO.		INTERNATIONAL HYDRAULICS, INC.		
GENERAL TOLERANCES ±.015 (±0.038)		TITLE: <b>2S2/0-HEX CONNECTOR</b>		
MATERIAL: <b>6061-T6 (1075)</b>	SIZE:	DRAWN BY: <b>TDS</b>	DWG NO.: <b>2S2/0-HEX (SALES)</b>	REV:
FINISH: <b>TIN PLATE EMS</b>	DATE: <b>12/9/08</b>	IHI CONNECTORS		